

# Rental Cooling Tower

## 300 Ton

*Open Circuit Cooling Tower  
With Closed Circuit Heat Exchanger*



### General System Data

Fully packaged unit, completely assembled, arrives on job site ready for installation in minimal time. Cooling Tower package includes pump matched specifically to range of operation, piping (includes tower bypass), and temperature controls.

### Equipment Features & Options

- 40' gooseneck dual tandem trailer
- Skid mounted with fork pockets
- 3-Way Condenser bypass valve with temperature control
- Tower fan with integrated VFD
- Galvanized steel basin
- Vibration switch
- Aluminum ladder
- Contactor w/transformer and disconnect for heater package
- Fused disconnect
- Tower pump with VFD

### Basic Equipment Data

Capacity (MBH)	4,505
Fluid Type	Water
Flow (GPM)	901 GPM
Entering Fluid Temp (F°)	95°
Leaving Fluid Temp (F°)	85°
Wet Bulb (F°)	78°
# Fans	2
Fan Motor Horsepower (1)	40 hp
Fan FLA	46 Amps
Basin Heater Amps	20 Amps
Inlet Water Connection Size	6" Flanged
Outlet Water Connection Size	6" Flanged
Make-up Water Connection Size	3/4" Garden Hose
Air Flow (CFM)	64,560 CFM
Equipment Insurance Value	\$149,000

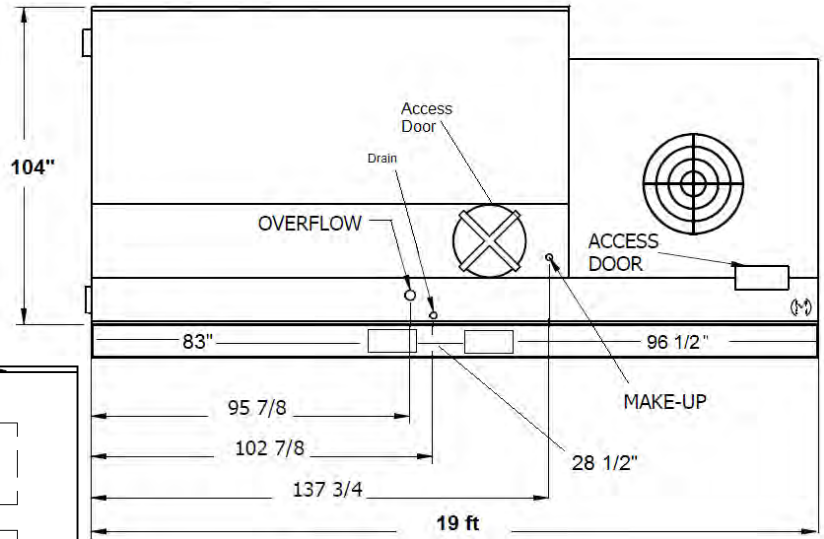
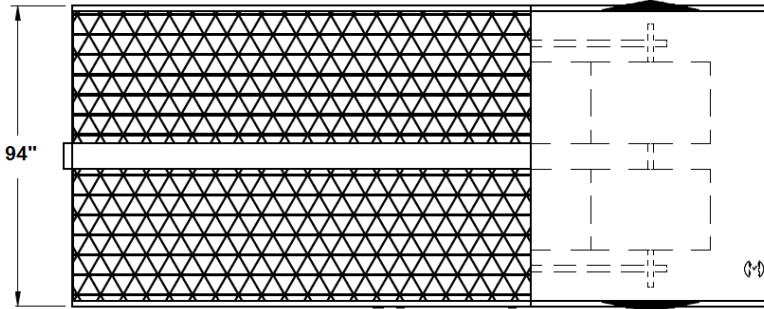
### Electrical Data

Nominal Voltage	460V / 60Hz / 3Ø
Single Point Power Connection (1 per Ø)	16 Series Cam Type
MCA	128 Amps
MCA (with pump)*	170 Amps
FLA	102 Amps
FLA (with pump)*	163 Amps
Fused Disconnect	200 Amp

\* Includes Fan, Basin Heaters, Tower Pump, and Glycol Pump

### Physical Data

Length	19'
Length (with trailer)	40'
Width	94"
Width (with trailer)	102"
Height	104"
Height (with trailer)	134"
Operating Weight	15,130 lbs.
Shipping Weight	10,410 lbs.



\*Unit show above is mounted on an 8" height structural steel wide flanged I-beam frame.

### Tower Pump Data

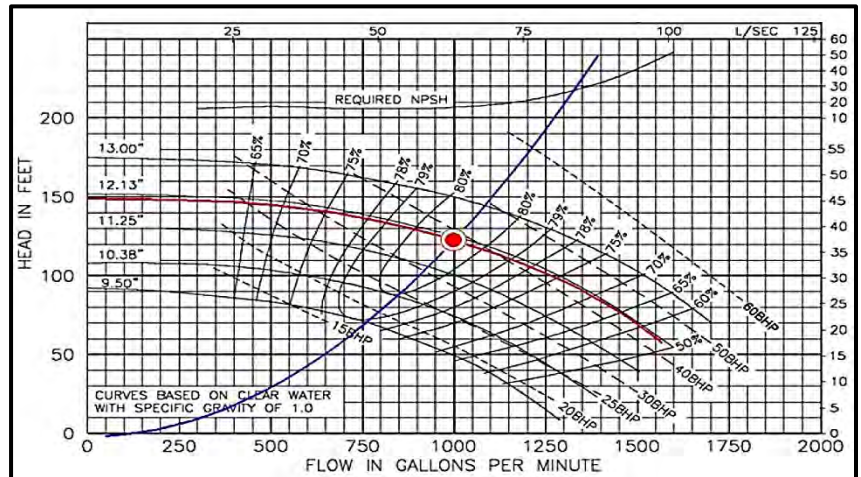
Flow	1000 GPM
Head	95 FT
Horsepower	30
RPM	1760
Cycle	60
Phase	3Ø
FLA	36

### Glycol Pump Data

Flow	1000 GPM
Head	125 FT
Horsepower	50
RPM	1750
Cycle	60
Phase	3Ø
FLA	61



### Pump Performance



### Heat Exchanger Data

Flow	900 GPM
Water entering temp (hot side cold side)	98° / 85°
Water leaving temp (hot side cold side)	88° / 95°
Pressure Drop (hot side cold side)	8.90 psi / 9.96 psi
Design Temperature (hot side cold side)	150° / 150°
Design Pressure (hot side cold side)	150 psi / 150 psi